

型号说明

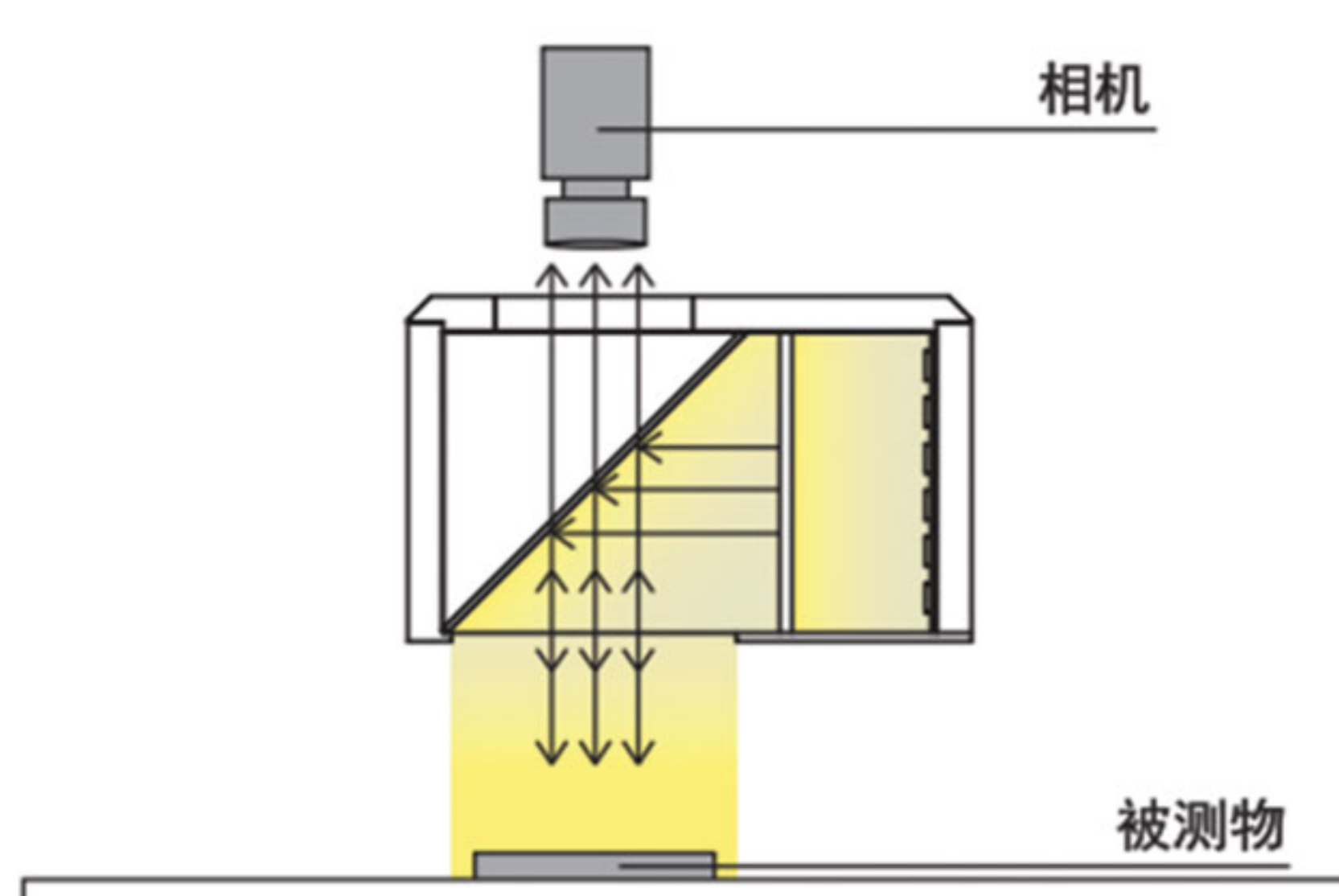
Model: PL-CO□□-□□



光源颜色: R(Red)/G(Green)/B(Blue)/W(White)/IR(850,940)/UV(365,390)

功耗: W,B,G,UV的功耗参照<功耗1> R,IR的功耗参照<功耗2>

| CO系列同轴光源特点 | 应用领域 |
|---------------------------------------|-------------|
| ● 通过使用半透镜，使LED的扩散照射在相机轴的同轴上，成像清晰，亮度均匀 | ● 反光面外观检测 |
| ● LED高密度排列，大幅度提升亮度 | ● MARK点定位 |
| ● 红外，紫外制作 | ● 液晶显示屏定位检测 |
| ● 标准24V供电（12V可选） | ● 表面划伤、缺陷检测 |



| Model | A | B | C | D | E | F | G | H | I | J | 功耗1(w) | 功耗2(w) | 图号 |
|--------------|------|-------|-----|-----|-----|-----|------|-----|-------|-----|--------|--------|----|
| PL-CO24-□□ | 59 | 51 | 17 | 30 | 18 | 18 | 12 | 18 | 24 | 30 | 0.84 | 0.6 | 1 |
| PL-CO30-□□ | 59.5 | 18.5 | 32 | 22 | 22 | 25 | 30.5 | 15 | 9 | 15 | 1.8 | 1.2 | 2 |
| PL-CO40-□□ | 67 | 20.5 | 40 | 27 | 27 | 32 | 37 | 20 | 10 | 20 | 2.9 | 2 | |
| PL-CO50-□□ | 90 | 25.85 | 50 | 38 | 38 | 42 | 46.5 | 28 | 10.5 | 28 | 3 | 2 | |
| PL-CO60-□□ | 100 | 30.85 | 60 | 37 | 37 | 50 | 57 | 34 | 13 | 34 | 8.6 | 5.8 | |
| PL-CO70-□□ | 117 | 36.5 | 70 | 49 | 49 | 64 | 47 | 40 | 15 | 40 | 10 | 6.8 | |
| PL-CO80-□□ | 127 | 41.50 | 80 | 56 | 56 | 71 | 77 | 50 | 12 | 50 | 12.6 | 8.4 | |
| PL-CO100-□□ | 147 | 51 | 100 | 75 | 75 | 91 | 97 | 60 | 20 | 60 | 19.5 | 13 | |
| PL-CO130-□□ | 187 | 69.50 | 130 | 110 | 106 | 131 | 133 | 110 | 13 | 100 | 28 | 21 | |
| PL-CO150-□□ | 197 | 76.5 | 150 | 120 | 120 | 141 | 147 | 120 | 15 | 120 | 36.5 | 28 | |
| PL-CO200-□□ | 253 | 103 | 200 | 184 | 190 | 195 | 198 | 120 | 40.50 | 120 | 43 | 32.4 | |
| PL-CO120-□□ | 158 | 65.5 | 130 | 80 | 80 | 120 | 130 | 90 | 30 | 90 | 19 | 12 | 3 |
| PL-CO30S-□□ | 15 | 30 | 16 | 57 | 15 | 14 | 30 | 6 | 20 | 15 | 1.2 | 1 | 4 |
| PL-CO40S-□□ | 25 | 40 | 21 | 67 | 20 | 14 | 40 | 6 | 30 | 20 | 2.4 | 1.6 | |
| PL-CO50S-□□ | 35 | 50 | 26 | 77 | 28 | 18 | 50 | 8 | 40 | 28 | 2.4 | 1.6 | |
| PL-CO60S-□□ | 45 | 60 | 31 | 87 | 34 | 20 | 60 | 10 | 50 | 34 | 8 | 5.2 | |
| PL-CO70S-□□ | 55 | 70 | 36 | 97 | 40 | 20 | 70 | 10 | 60 | 40 | 9.2 | 6 | |
| PL-CO80S-□□ | 65 | - | 41 | 107 | 50 | 20 | 80 | 10 | 70 | 50 | 12 | 7.8 | |
| PL-CO90S-□□ | 75 | 90 | 46 | 117 | 60 | - | 90 | 10 | 80 | 60 | 15 | 10.5 | |
| PL-CO100S-□□ | 85 | 100 | 51 | 127 | 60 | 20 | 100 | 10 | 90 | 60 | 22.5 | 15 | |

同轴光源尺寸 (mm)

