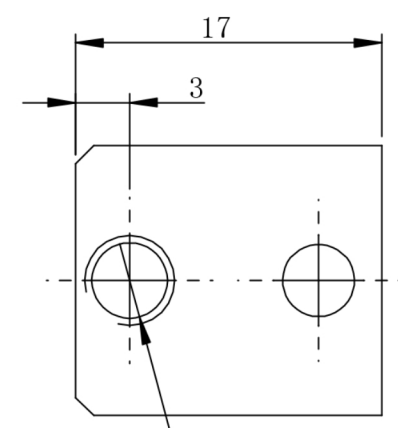
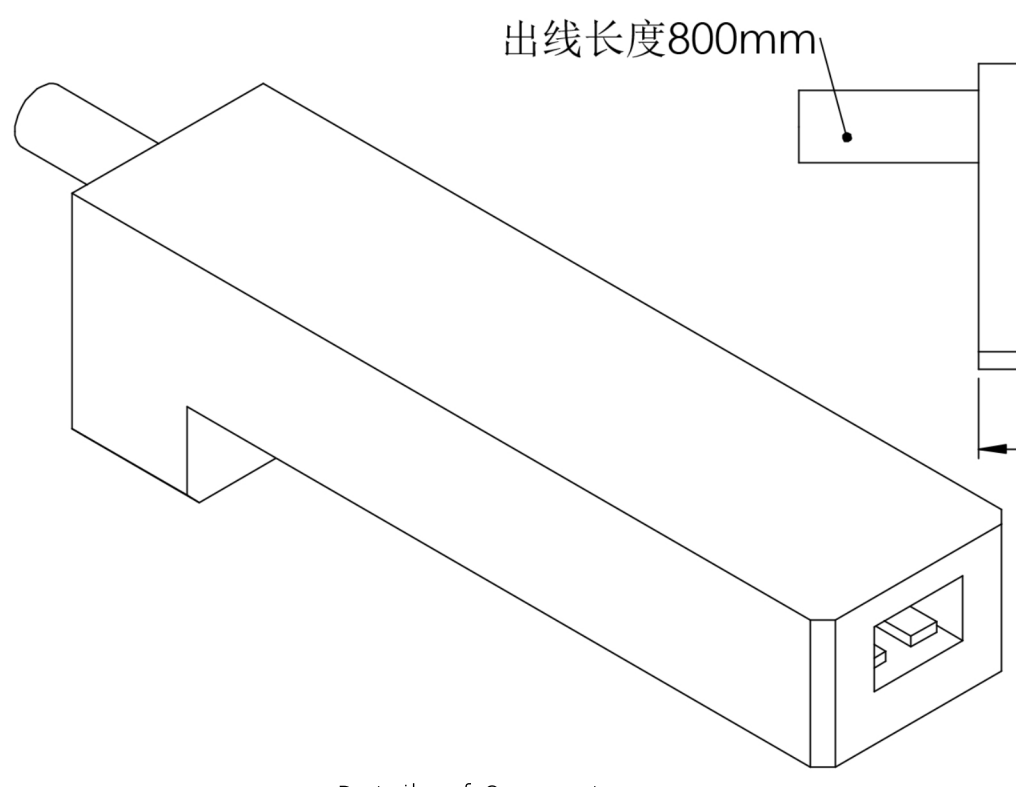
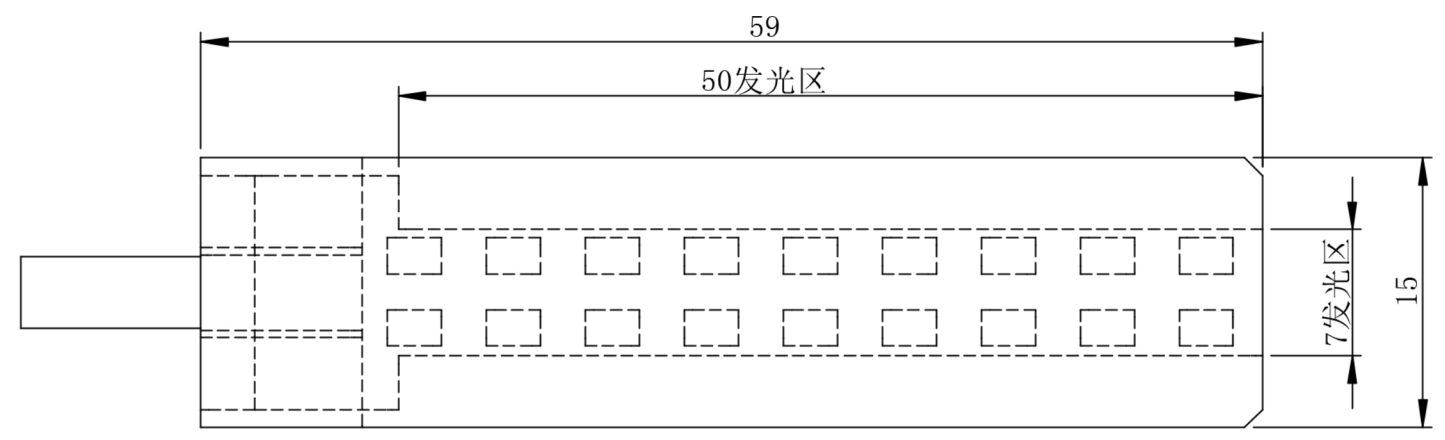


A
B
C
D
E
F

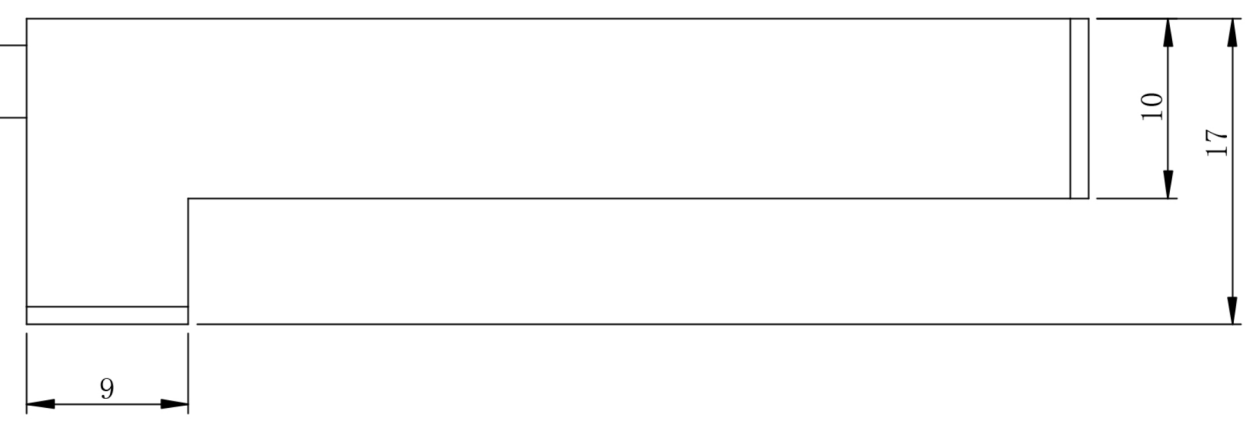
A
B
C
D
E
F



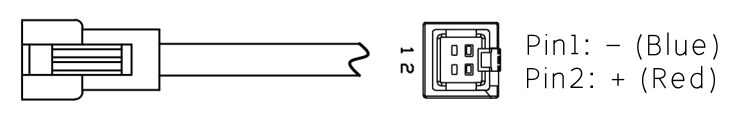
M5 - 6H 完全贯穿
Ø 4.20 完全贯穿



出线长度800mm



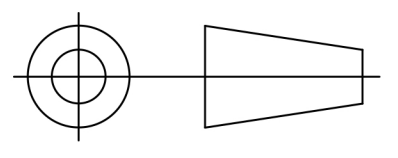
Details of Connector



Connector Type: SMR-03V-B (Light Side)
SMP-03V-BC (Power Supply Side)

Specification:

MODEL	PL-TR5006-W/-B/-G/-UV	-R/-IR850/-IR940
Wavelength (nm)	6500K/470/530/385	625/850/940
Power Supply	DC24V/1 (W)	DC24V/0.7 (W)



Itemref	Quantity	Material: AL/ACRIL	ArticleNo./Reference
			Filename PL-TR5006
			Scale 1/1
PL-TR5006-U			
PL-TR5006-0000			Edition VER.1.0
			Sheet 1