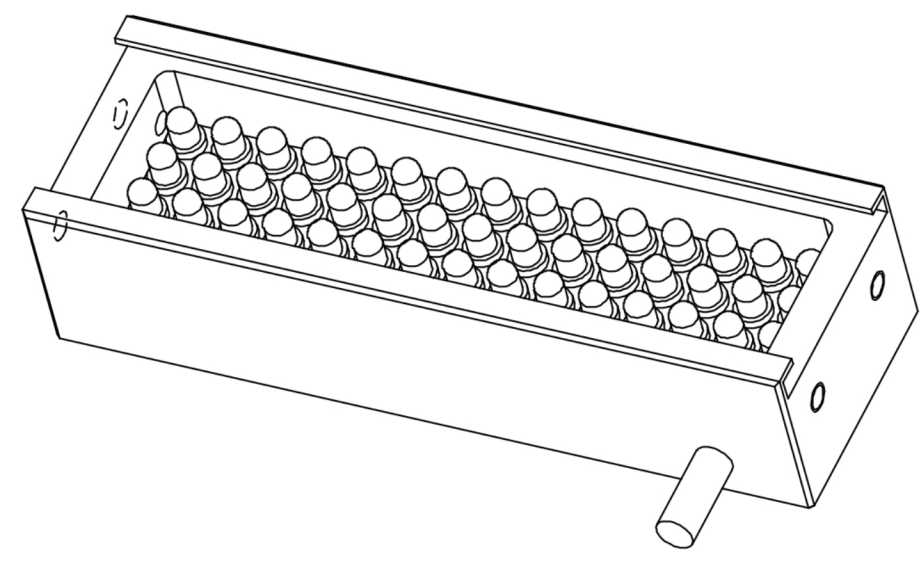
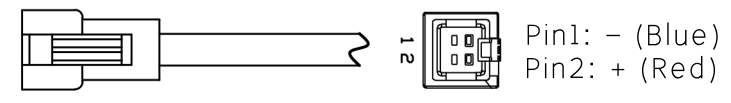


出线长度800mm



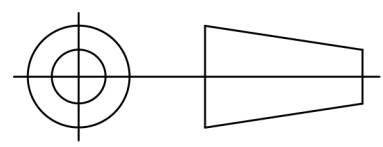
Details of Connector



Connector Type: SMR-03V-B (Light Side)  
SMP-03V-BC (Power Supply Side)

Specification:

MODEL	PL-TR8427-W/-B/-G/-UV	-R/-IR850/-IR940
Wavelength (nm)	6500K/470/530/385	625/850/940
Power Supply	DC24V/3.8 (W)	DC24V/2.8 (W)



Itemref	Quantity	Material: AL/ACRIL	ArticleNo./Reference
			Filename PL-TR8427
			Scale 1/1
<b>PL-TR8427-U</b>			
		PL-TR8427-0000	Edition VER.1.0
			Sheet 1