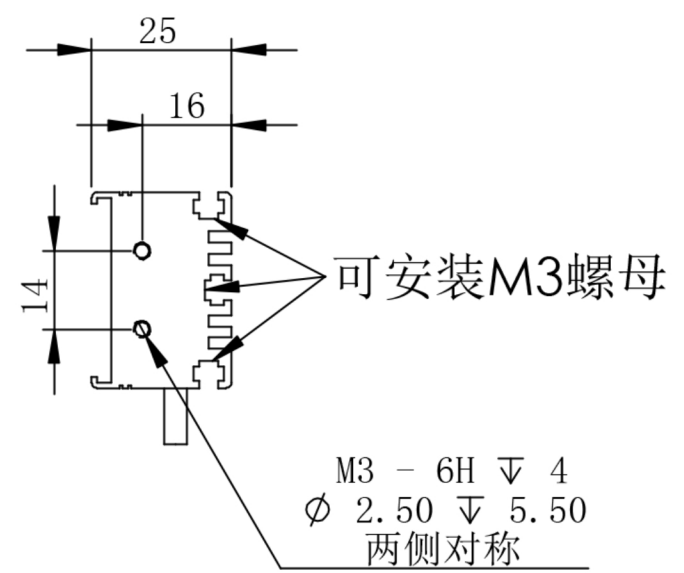
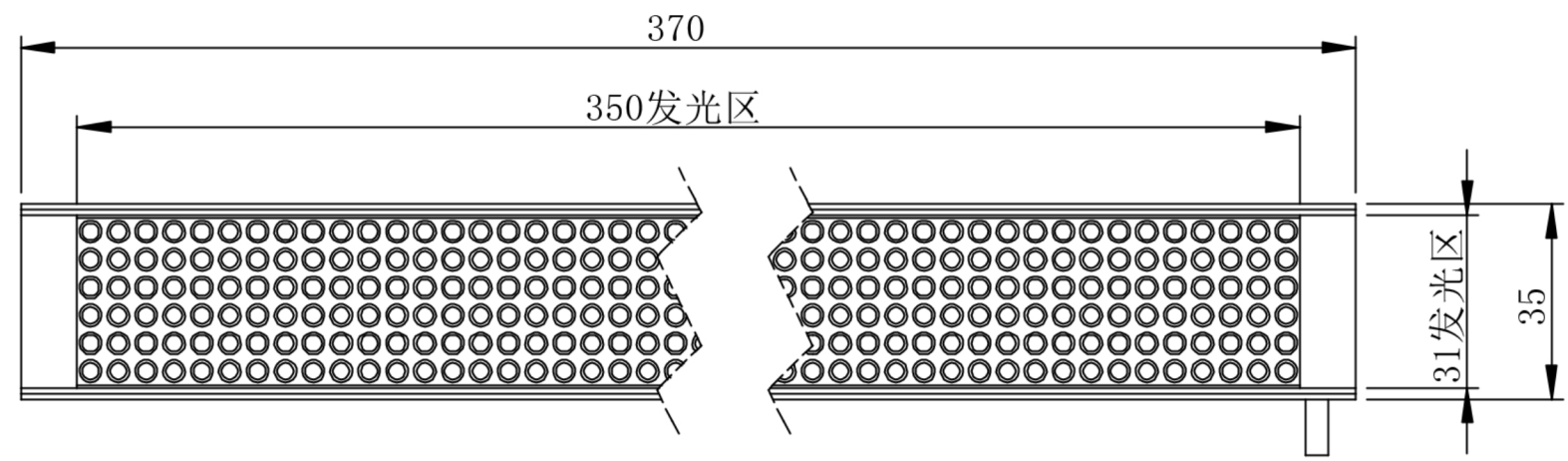
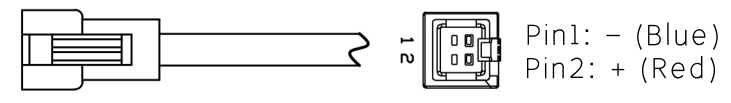


A  
B  
C  
D  
E  
F



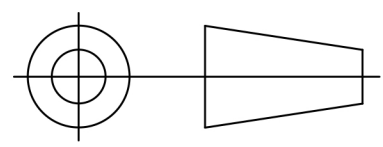
Details of Connector



Connector Type: SMP-03V-B (Light Side)  
SMP-03V-BC (Power Supply Side)

Specification:

|                 |                        |                  |
|-----------------|------------------------|------------------|
| MODEL           | PL-TR37035-W/-B/-G/-UV | -R/-IR850/-IR940 |
| Wavelength (nm) | 6500K/470/530/385      | 625/850/940      |
| Power Supply    | DC24V/16.1 (W)         | DC24V/10.9 (W)   |



|                     |          |                    |                        |
|---------------------|----------|--------------------|------------------------|
| Itemref             | Quantity | Material: AL/ACRIL | ArticleNo./Reference   |
|                     |          |                    | Filename<br>PL-TR37035 |
|                     |          |                    | Scale<br>1/1           |
| <b>PL-TR37035-U</b> |          |                    |                        |
| PL-TR37035-0000     |          |                    | Edition<br>VER.1.0     |
|                     |          |                    | Sheet<br>1             |