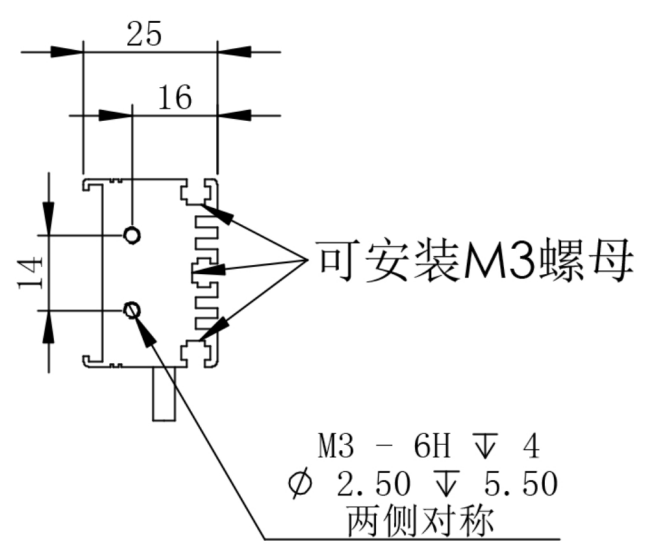
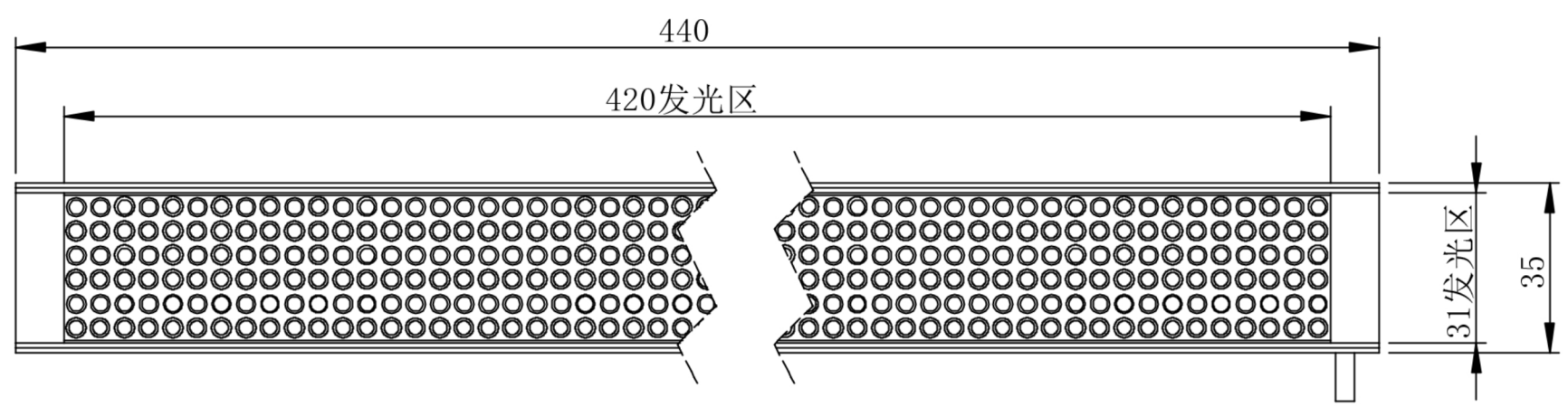
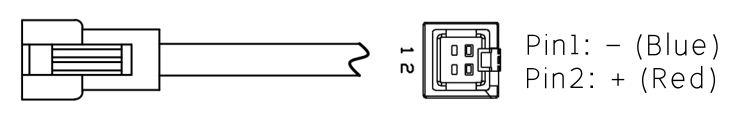


A  
B  
C  
D  
E  
F



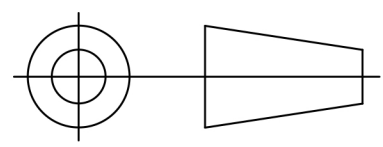
Details of Connector



Connector Type: SMP-03V-B (Light Side)  
SMP-03V-BC (Power Supply Side)

Specification:

MODEL	PL-TR44035-W/-B/-G/-UV	-R/-IR850/-IR940
Wavelength (nm)	6500K/470/530/385	625/850/940
Power Supply	DC24V/19.3 (W)	DC24V/13.1 (W)



Itemref	Quantity	Material: AL/ACRIL	ArticleNo./Reference
			Filename PL-TR44035
			Scale 1/1
<b>PL-TR44035-U</b>			
		PL-TR44035-0000	Edition VER.1.0
			Sheet 1