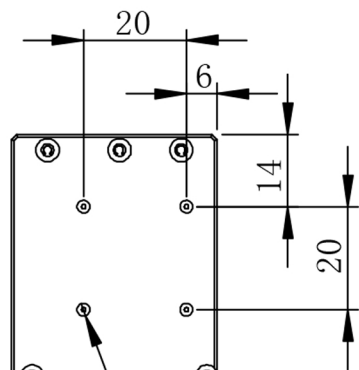
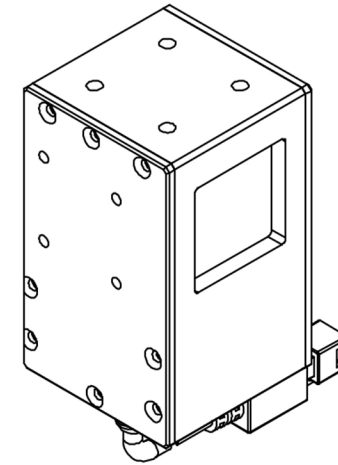
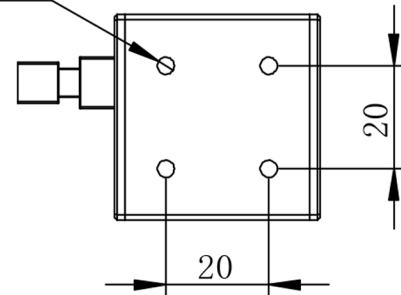
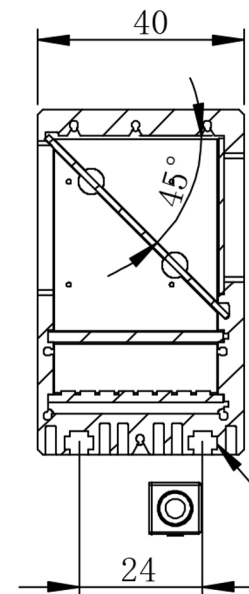
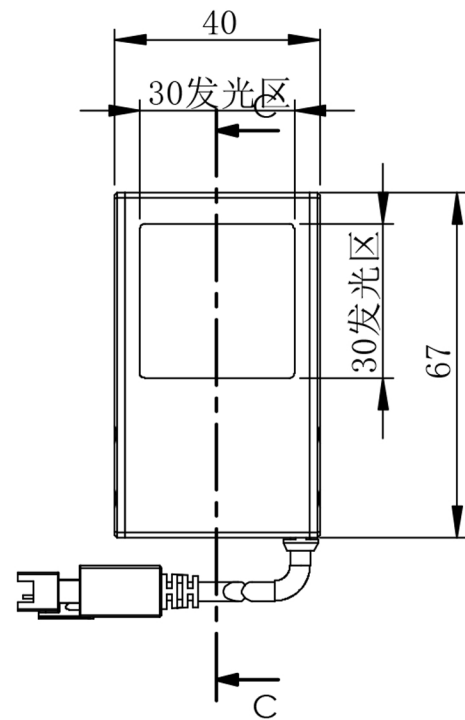


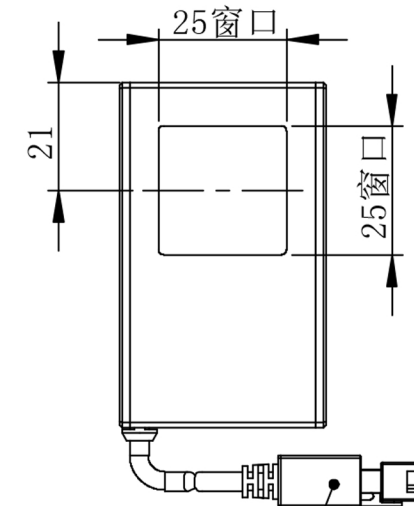
4 x M4 - 6H ▽ 4
 ϕ 3.30 ▽ 6.10



4 x M3 - 6H ▽ 4
 ϕ 2.50 ▽ 4.50
 两侧对称

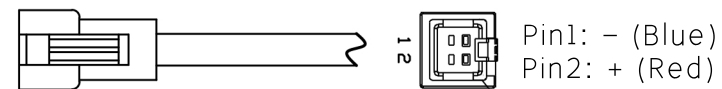


可安装M3螺母



出线长度800mm

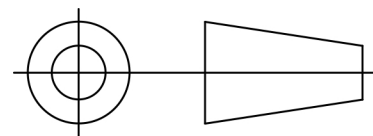
Details of Connector



Connector Type: SMR-03V-B (Light Side)
 SMP-03V-BC (Power Supply Side)

Specification:

MODEL	PL-CO40S-W/-B/-G/-UV	-R/-IR850/-IR940
Wavelength (nm)	6500K/470/530/385	625/850/940
Power Supply	DC24V/2.4 (W)	DC24V/1.6 (W)



Itemref	Quantity	Material: AL/ACRIL	ArticleNo./Reference
			Filename PL-CO40S
			Scale 1/1
PL-CO40S-U			
		PL-CO40S-0000	Edition VER.1.0
			Sheet 1