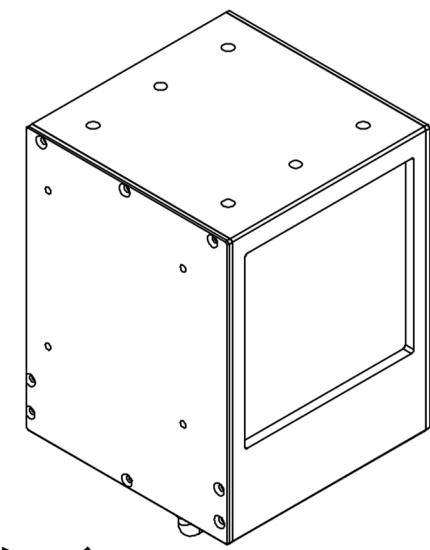
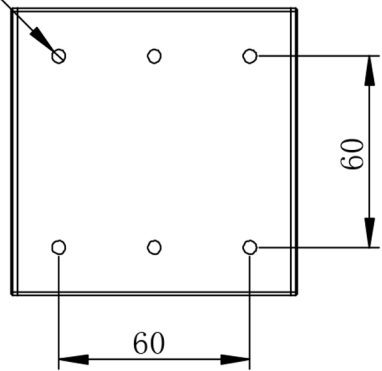


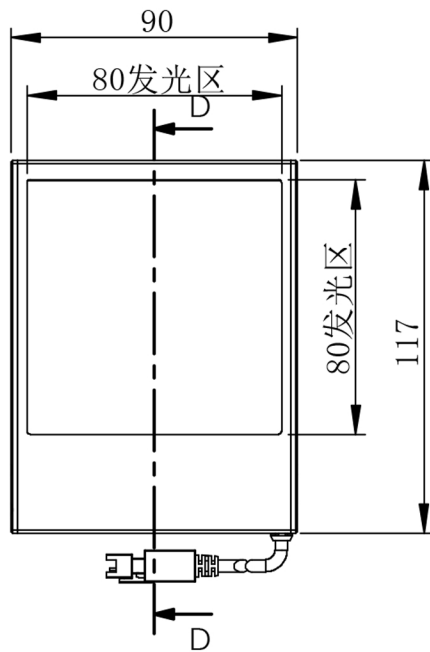
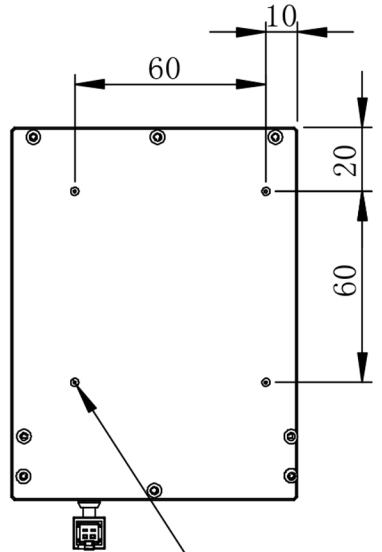
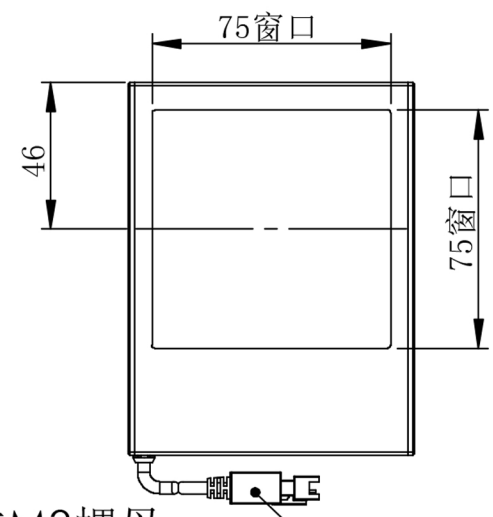
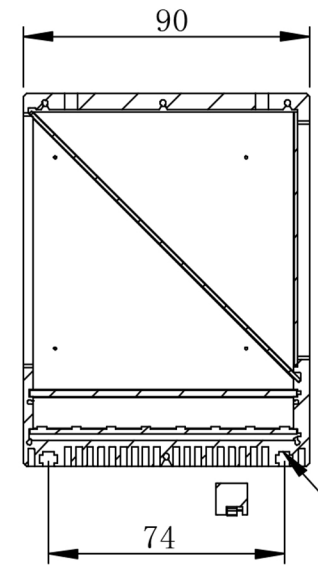
A
B
C
D
E
F

A
B
C
D
E
F

6 x M5 - 6H ▽ 4
 Ø 4.20 ▽ 6.40



剖面 D-D

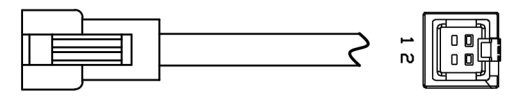


4 x M3 - 6H ▽ 4
 Ø 2.50 ▽ 4.50
 两侧对称

可安装M3螺母

光源线长300mm

Details of Connector

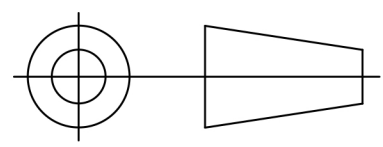


Pin1: - (Blue)
 Pin2: + (Red)

Connector Type: SMR-03V-B (Light Side)
 SMP-03V-BC (Power Supply Side)

Specification:

MODEL	PL-CO90S-W/-B/-G/-UV	-R/-IR850/-IR940
Wavelength (nm)	6500K/470/530/385	625/850/940
Power Supply	DC24V/15 (W)	DC24V/10.5 (W)



Itemref	Quantity	Material: AL/ACRIL	ArticleNo./Reference	
			Filename PL-CO90S	Scale 1/1
			PL-CO90S-U	
			PL-CO90S-0000	Edition VER.1.0 Sheet 1