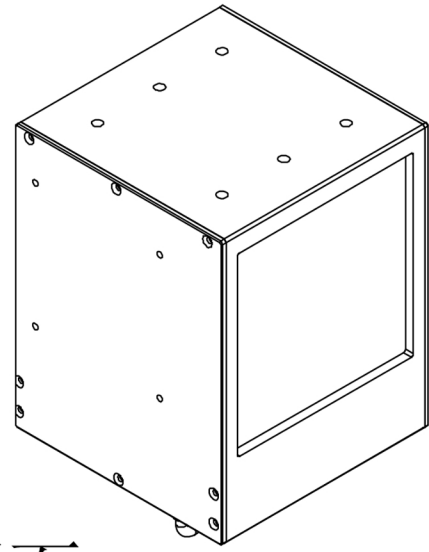
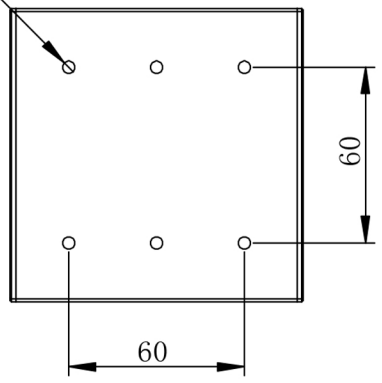


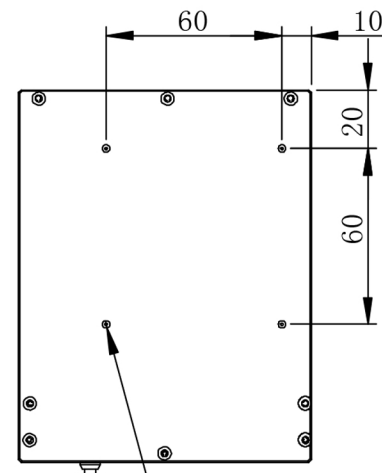
A
B
C
D
E
F

A
B
C
D
E
F

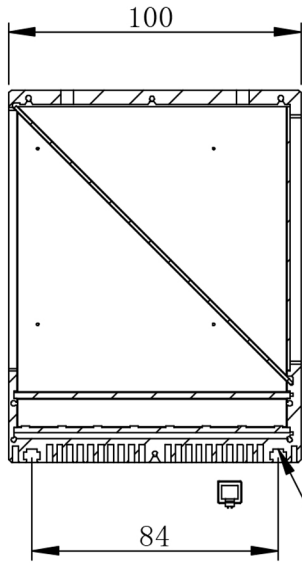
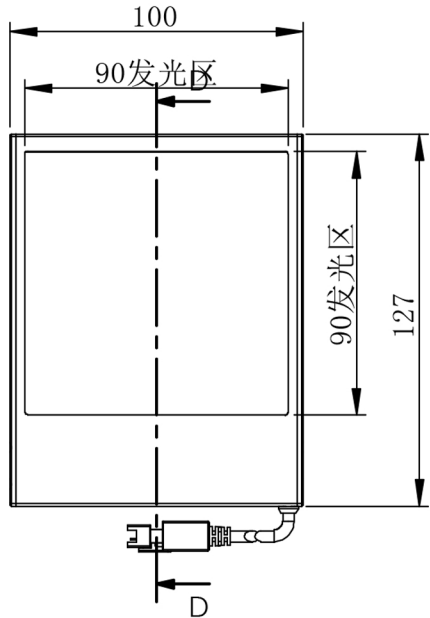
6 x M5 - 6H ▽ 4
 Ø 4.20 ▽ 6.40



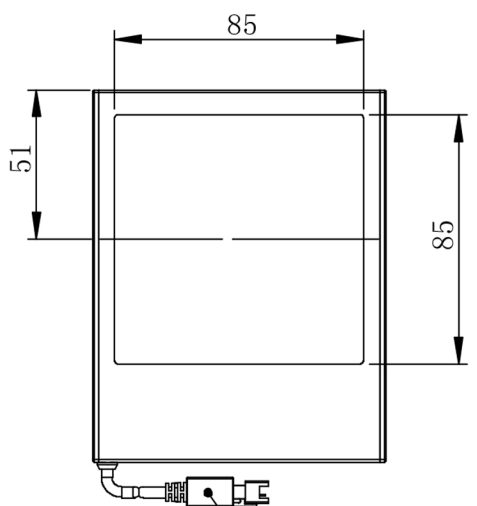
剖面 D-D



4 x M3 - 6H ▽ 4
 Ø 2.50 ▽ 4.50
 两侧对称

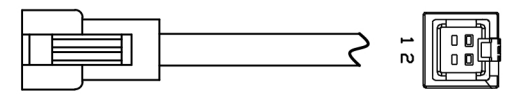


可安装M3螺母



光源线长300mm

Details of Connector

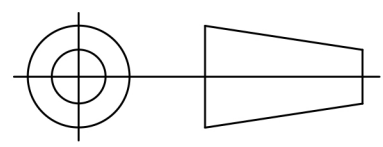


Pin1: - (Blue)
 Pin2: + (Red)

Connector Type: SMR-03V-B (Light Side)
 SMP-03V-BC (Power Supply Side)

Specification:

MODEL	PL-CO100S-W/-B/-G/-UV	-R/-IR850/-IR940
Wavelength (nm)	6500K/470/530/385	625/850/940
Power Supply	DC24V/22.5 (W)	DC24V/15 (W)



Itemref	Quantity	Material: AL/ACRIL	ArticleNo./Reference
			Filename PL-CO100S
			Scale 1/1
PL-CO100S-U			
PL-CO100S-0000			Edition VER.1.0
			Sheet 1