

1

2

3

4

5

6

7

8

RevNo	Revision note	Date	Signature	Checked
-------	---------------	------	-----------	---------

A

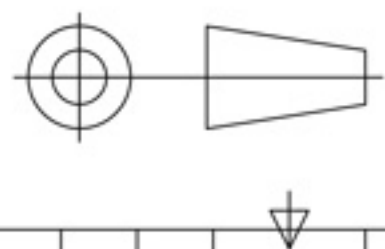
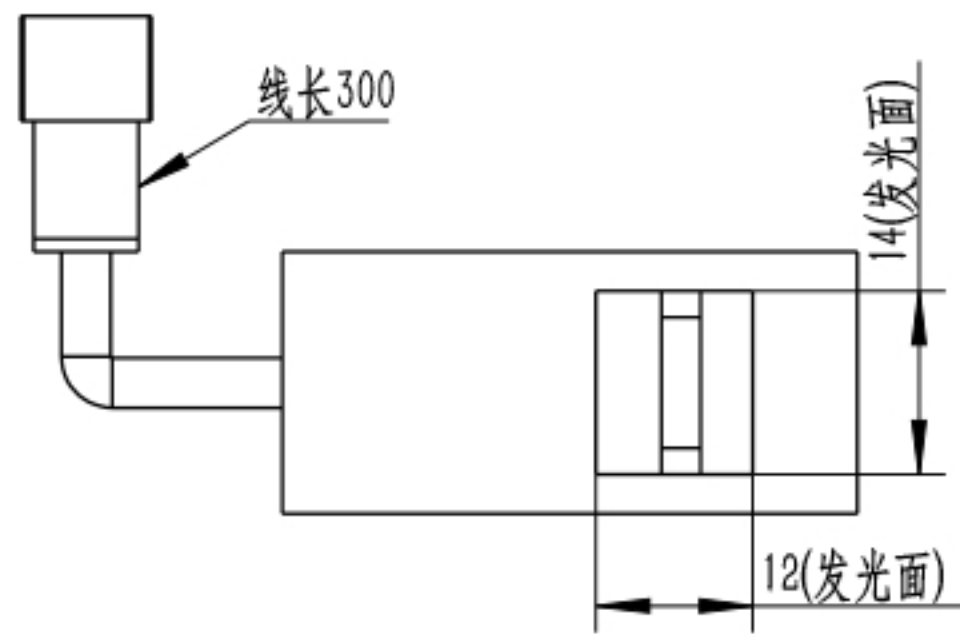
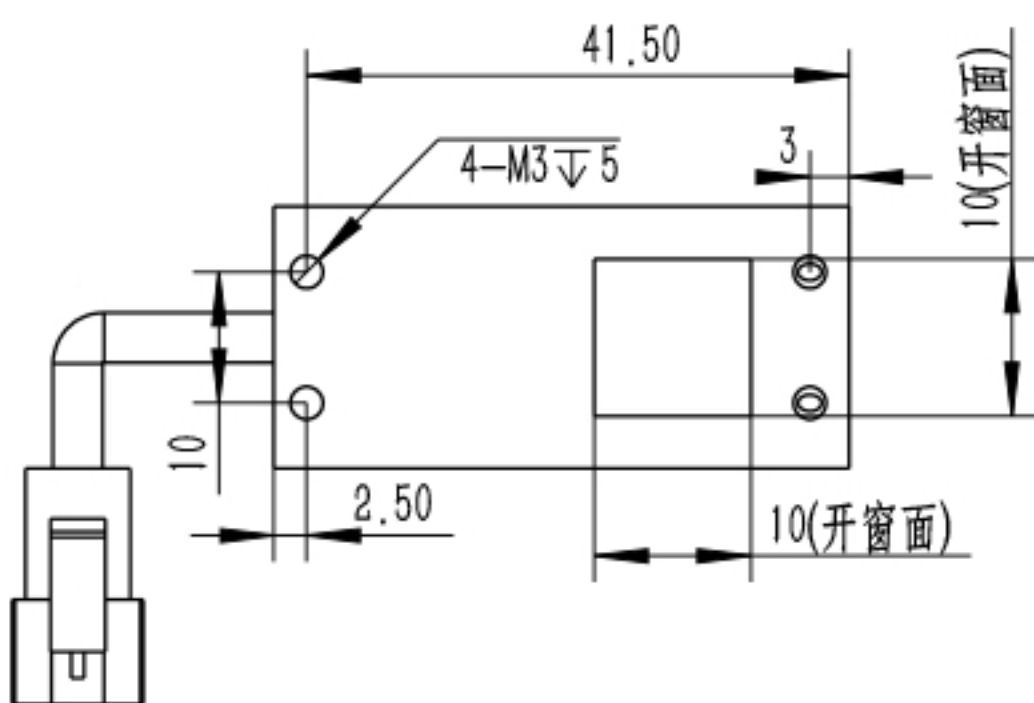
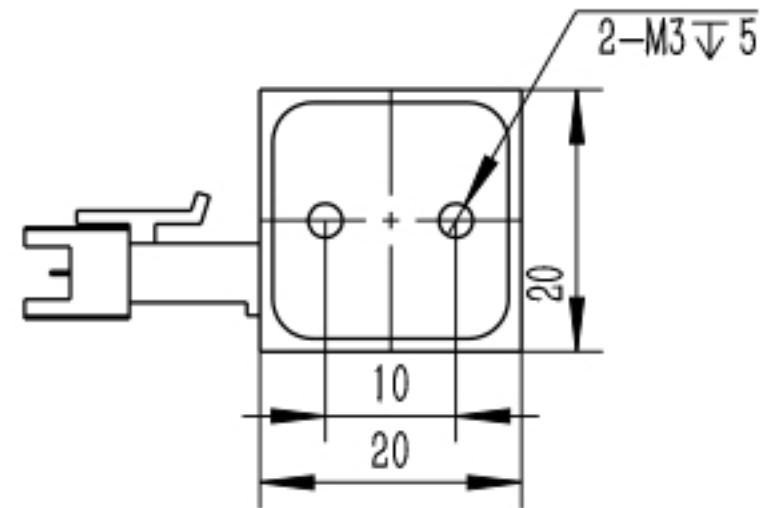
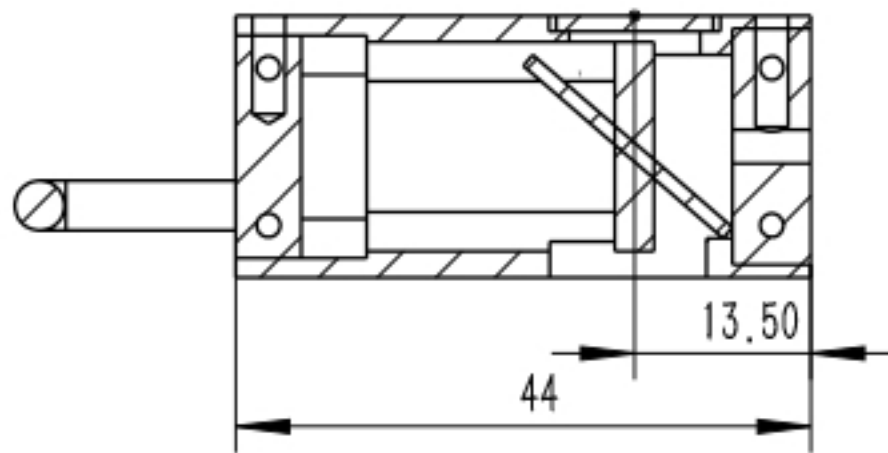
B

C

D

E

F



Itemref	Quantity	Material: AL/ACRIL	ArticleNo./Reference	
			Filename YL-CO20	Scale 1/1
			YL-CO20	
			YL-CO20-0000	Edition VER1.0

1

2

3

6

7

8