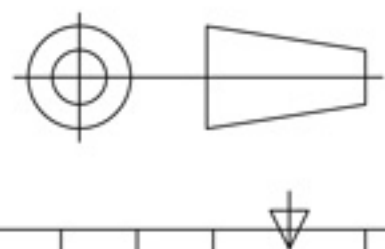
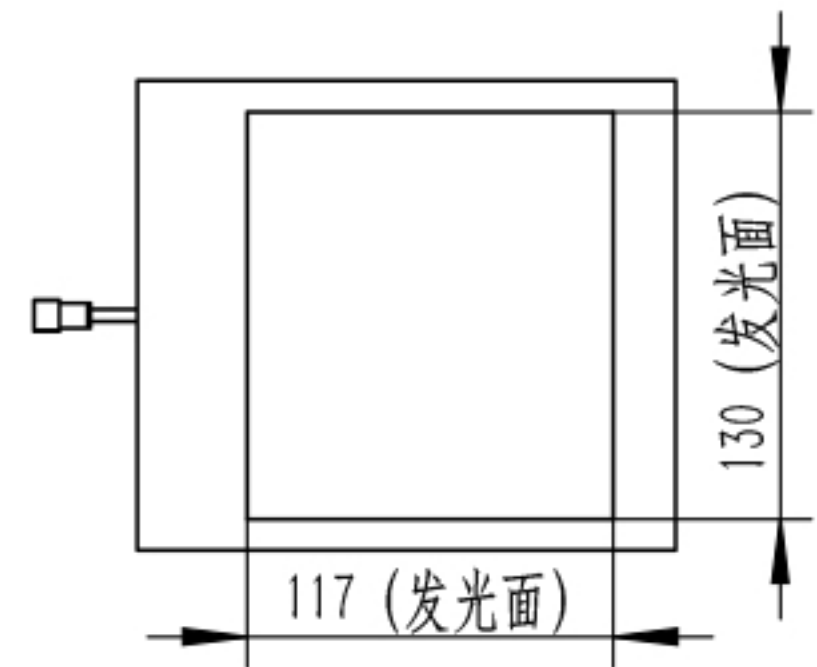
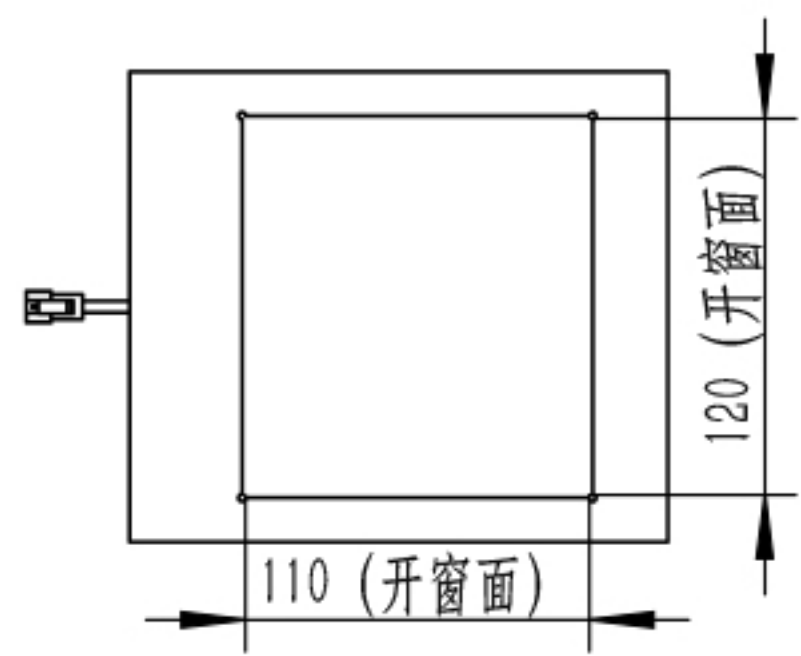
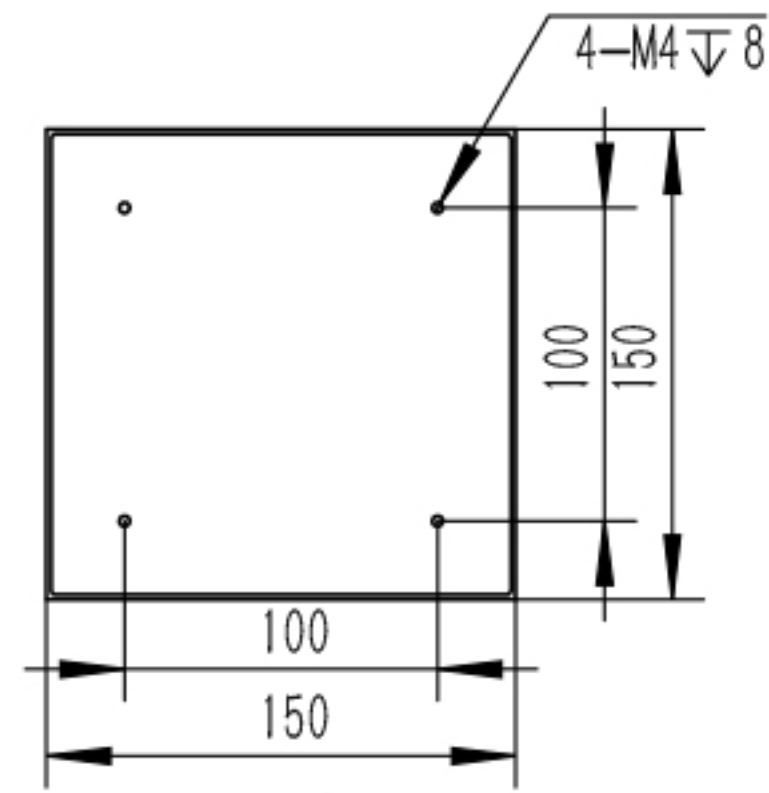
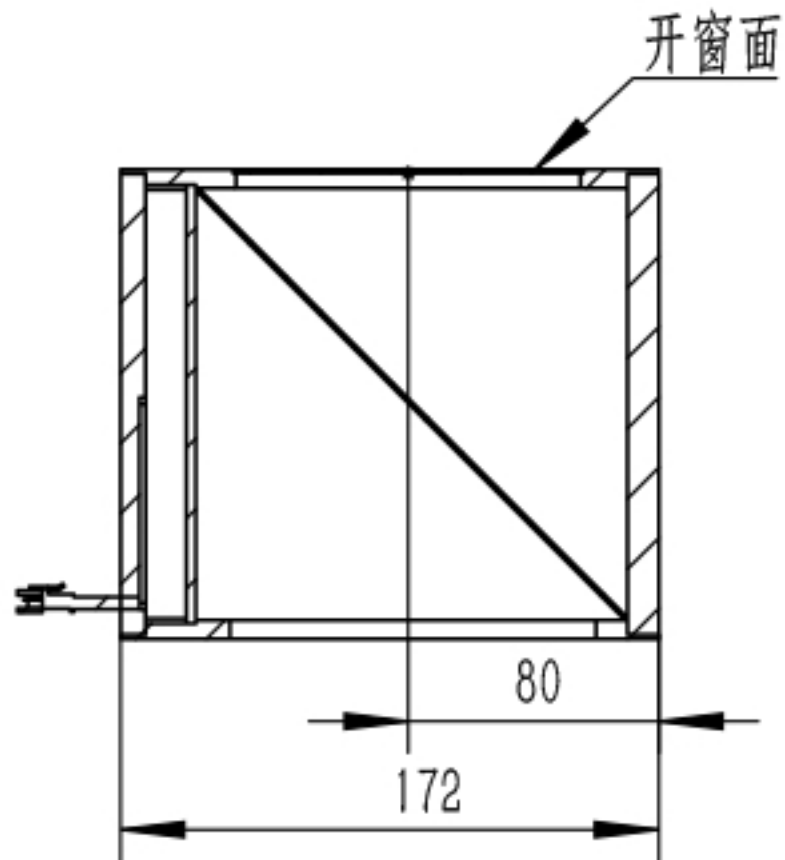


A
B
C
D
E
F

A
B
C
D
E
F



| | | | | |
|---------|----------|--------------------|----------------------|------------------|
| Itemref | Quantity | Material: AL/ACRIL | ArticleNo./Reference | |
| | | | Filename YL-CO150 | Scale 1/1 |
| | | | YL-CO150 | |
| | | | YL-CO150-0000 | Edtion VER1.0 |