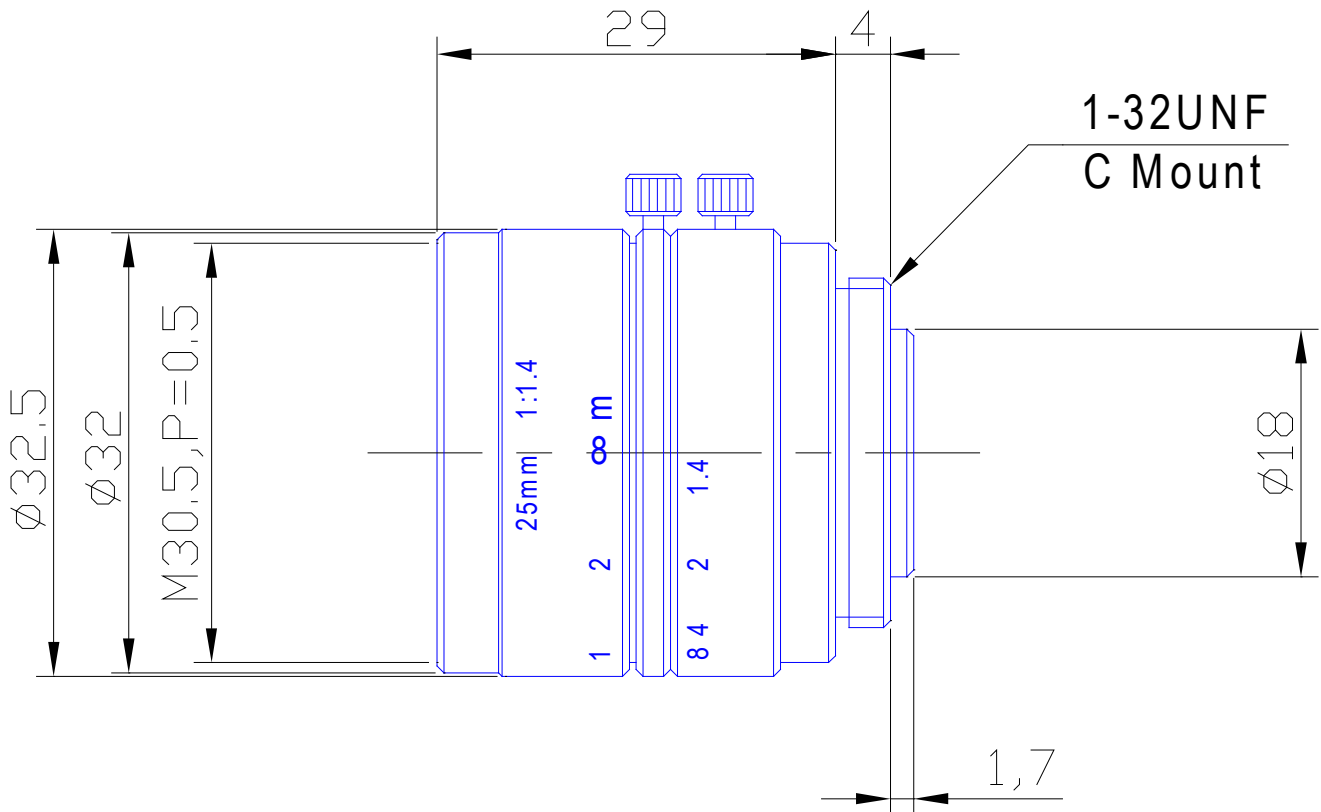


**2/3inch Format**

**High resolution 2 Megapixel Lenses**

**Item No. GMHR2514MCN**



ITEM NO.	GMHR2514MCN	
Focal Length	25.0	(mm)
F No.	F1.4	
Angle of View(HxVxD)	22° x 17°	
Distortion	-0.04%(1/3"),-0.05%(1/2"),-0.08%(2/3")	
MOD	0.3	(m)
Filter Thread	M=30.5 , P=0.5	
Dimention ( D x L )	$\varnothing 32.5$ x 29	(mm)
Weight	61.5	(g)